

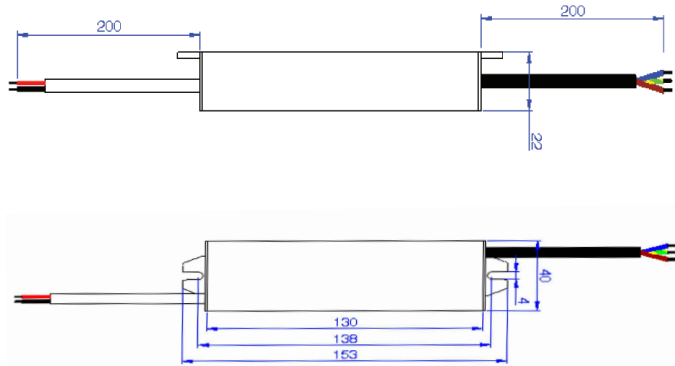
# 250W IP67 WEATHERPROOF LED DRIVER



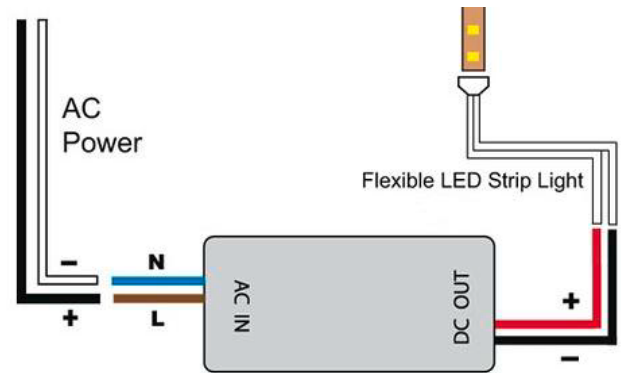
## TECHNICAL

Material	Aluminium
Input Voltage	240v AC
Output Voltage	12v DC or 24v DC
Output Power	250w
No. Output Cables	2
Wiring	Parallel
IP Rating	IP67
Dimmable	No
Warranty	2 Years Replacement

## DIMENSIONS



## SAMPLE INSTALLATION DIAGRAM



\*Recommended maximum Load of 200w (80%)

## COMPATIBLE WITH



All Low Voltage Light Fittings and LED Strip



IP RATING



APPROVAL



## PRODUCT ORDERING

Image	Part Number	OUTPUT VOLTAGE
	TLI-U12PS-250W-WP	12V DC
	TLI-U24PS-250W-WP	24V DC

# 250W IP67 WEATHERPROOF LED DRIVER

MODEL		TLI-U12PS-250W-WP	TLI-U24PS-250W-WP
OUTPUT	DC VOLTAGE	12V	24V
	RATED CURRENT	20.8A	10.4A
	CURRENT RANGE	0~20.8A	0~10.4A
	RATED POWER	250W	
	RIPPLE&NOISE(max)	<700mV	<700mV
	VOLTAGE TOLERANCE	±0.5V	±0.5V
INPUT	VOLTAGE RANGE	170~265VAC	
	FREQUENCY RANGE	47~63Hz	
	POWER FACTOR(Typ.)	0.6	
	EFFICIENCY(Typ.)	83%	84%
	AC CURRENT(Typ.)	1.96A/220VAC	1.94A/220VAC
PROTECTION	Short circuit	Protection type: shut down o/p voltage with re-power on to recovery	
	Overload	20.8-22.8A	10.4-11.4A
ENVIRONMENT	WORKING TEMP.	-30~+50°C (Refer to output load derating curve)	
	INGRESS PROTECTION	IP67 design for indoor or outdoor installations	
	STORAGE TEMP	-40~+80°C	
SAFETY&EMC	SAFETY STANDARDS	EN61347-1;EN61347-2-13;SELV;IP67 approved	
	WITHSTAND VOLTAGE	I/P-O/P:3.75KVAC I/P-FG:2KVAC O/P-FG:0.5KVAC	
	EMC Test Standards		
NOTE	1.All parameters NOT specially mentioned are measured at 220VAC input,rated load and 25°C of ambient temperature. 2.Ripple&noise are measured at 20MHz of bandwidth by using a 12" twisted pair-wire terminated with a 0.1uf&47uf parallel capacitor. 3.Tolerance:includes set up tolerance,line regulation and load regulation.		

## Others

DIMENSION	153×40×22mm(L×W×H)
CARTON QUANTITY	100pcs/carton
CARTON SIZE	355×350×235mm
WEIGHT	0.25Kg/pcs

## Derating Curve

